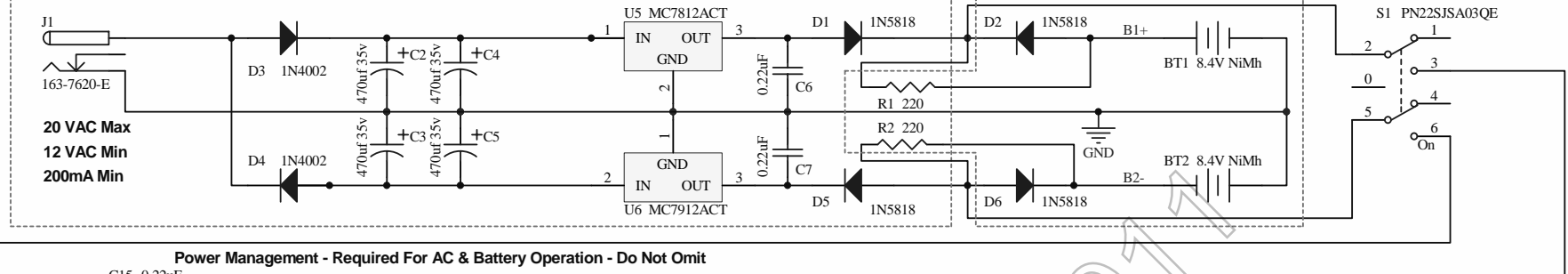


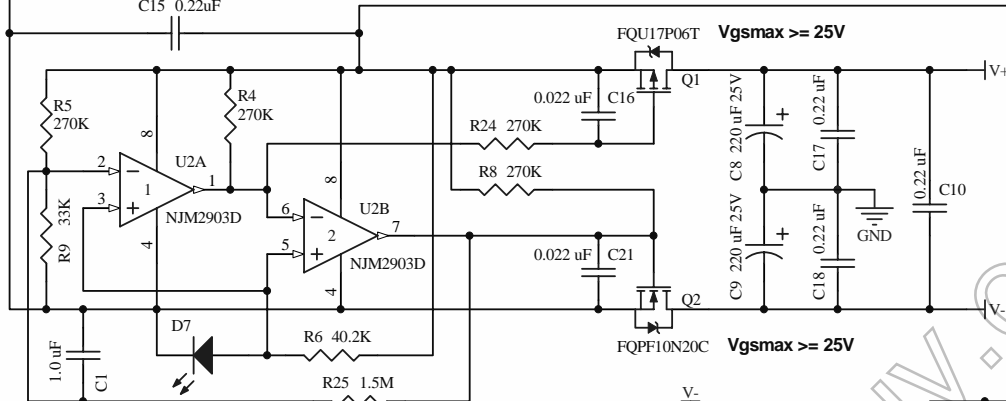
Optional AC Power Supply (omit for battery only operation)

Battery Power (omit for AC only operation)

Power Switch (do not switch AC)



Power Management - Required For AC & Battery Operation - Do Not Omit



O₂ (Objective 2) v1.1 Headphone Amplifier

© 2011 NwAvGuy.com Version 1.1 November 30th 2011

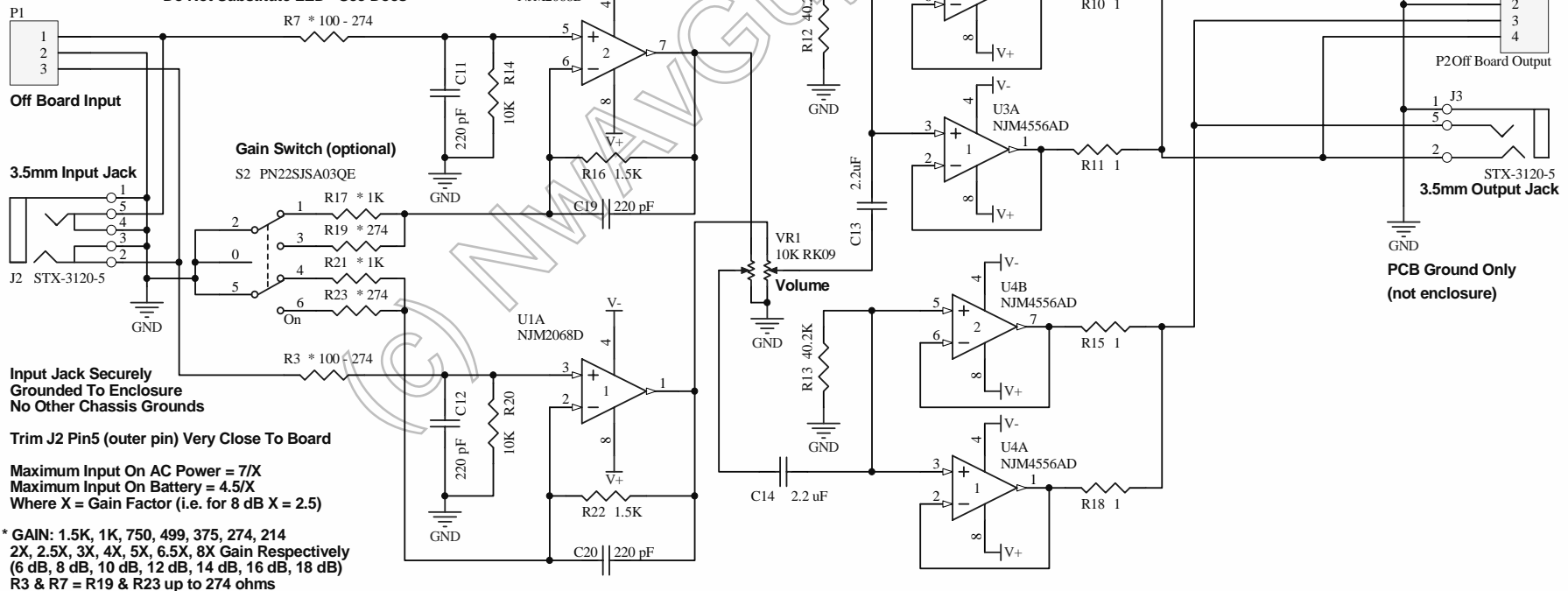
Please See Website for Design Notes and Terms Of Use

Creative Commons Attribution-No Derivs 3.0 Unported License

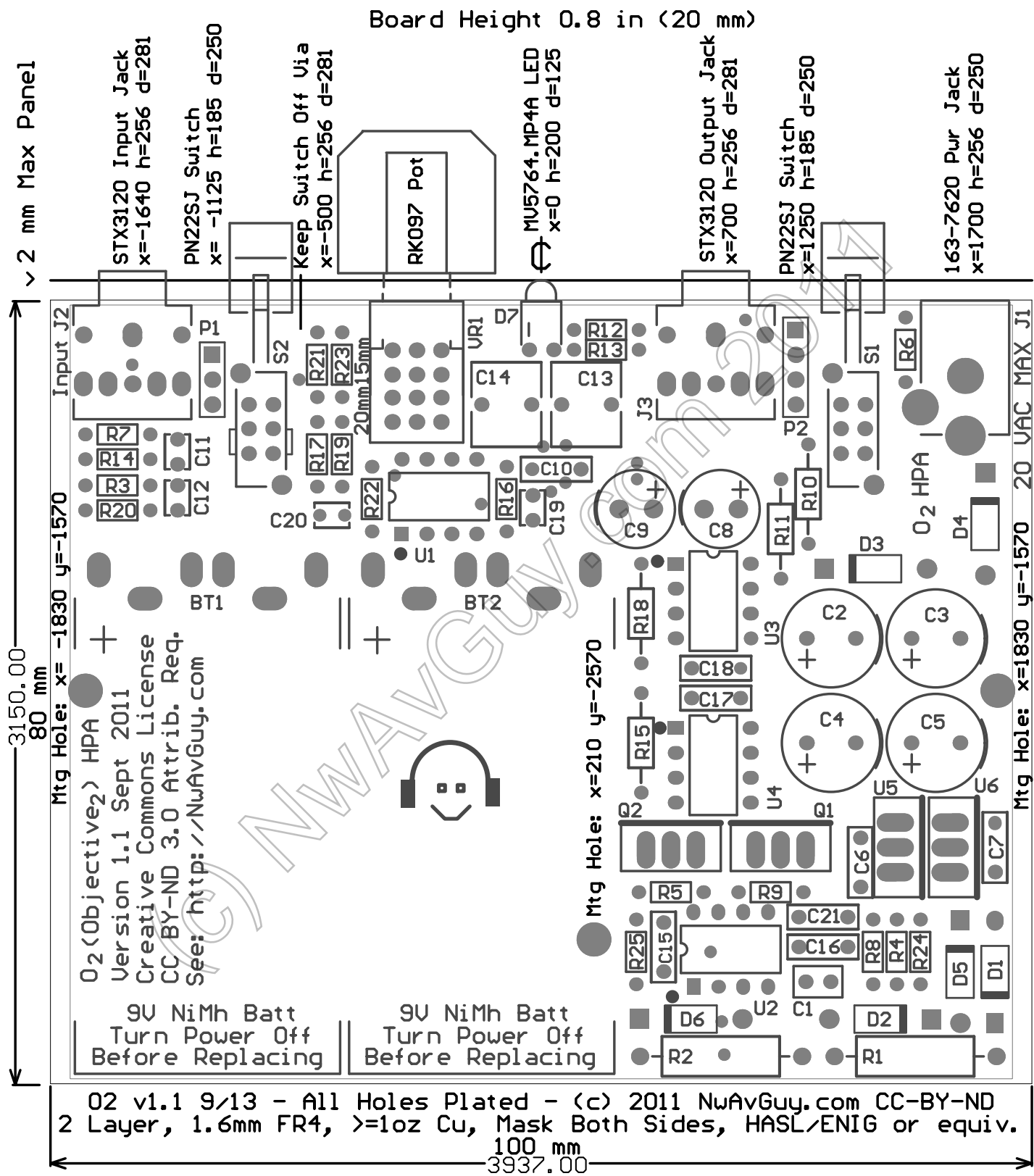
<http://creativecommons.org/licenses/by-nd/3.0/>

Please include NwAvGuy.com attribution as-is for any use

Do Not Substitute LED - See Docs

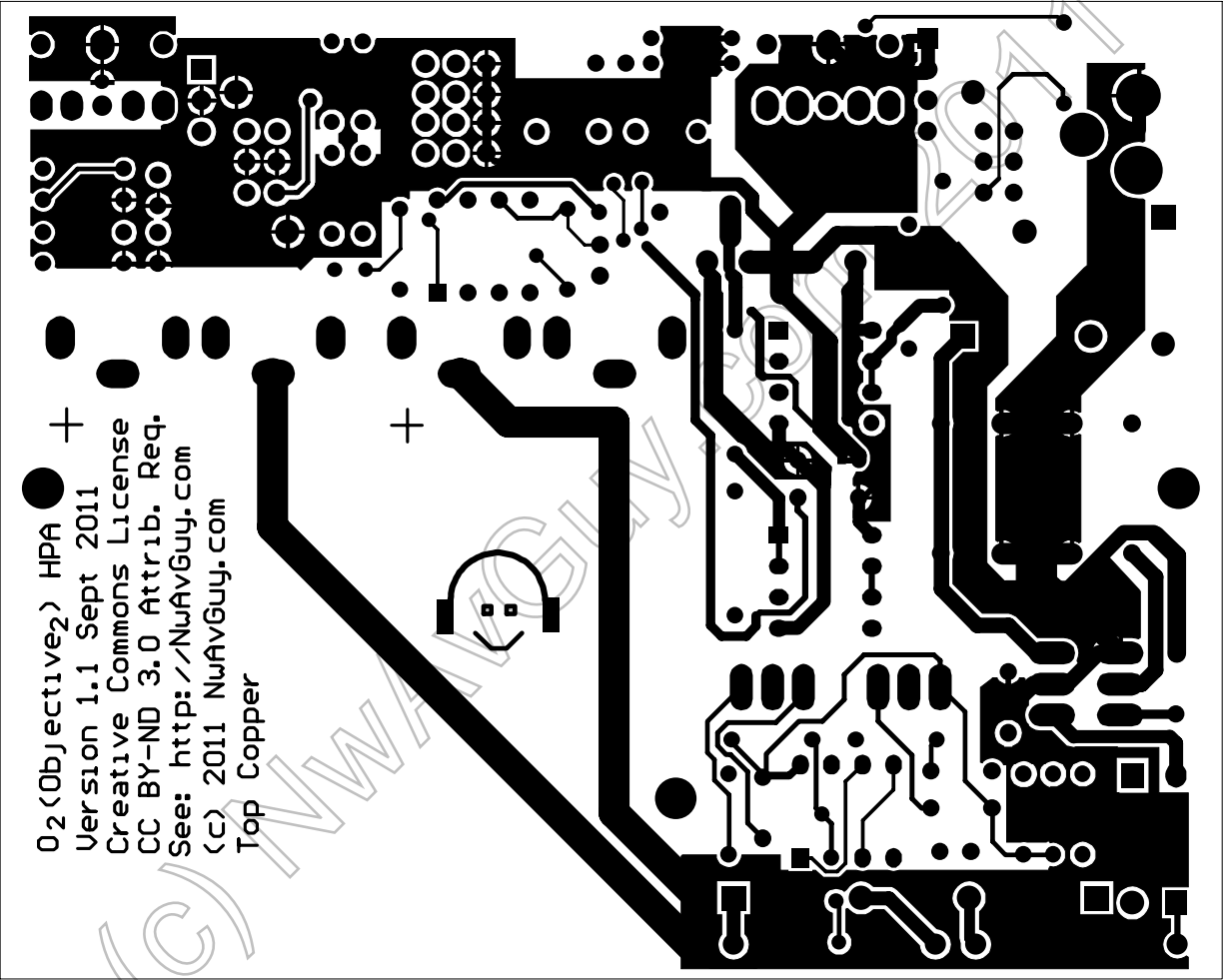


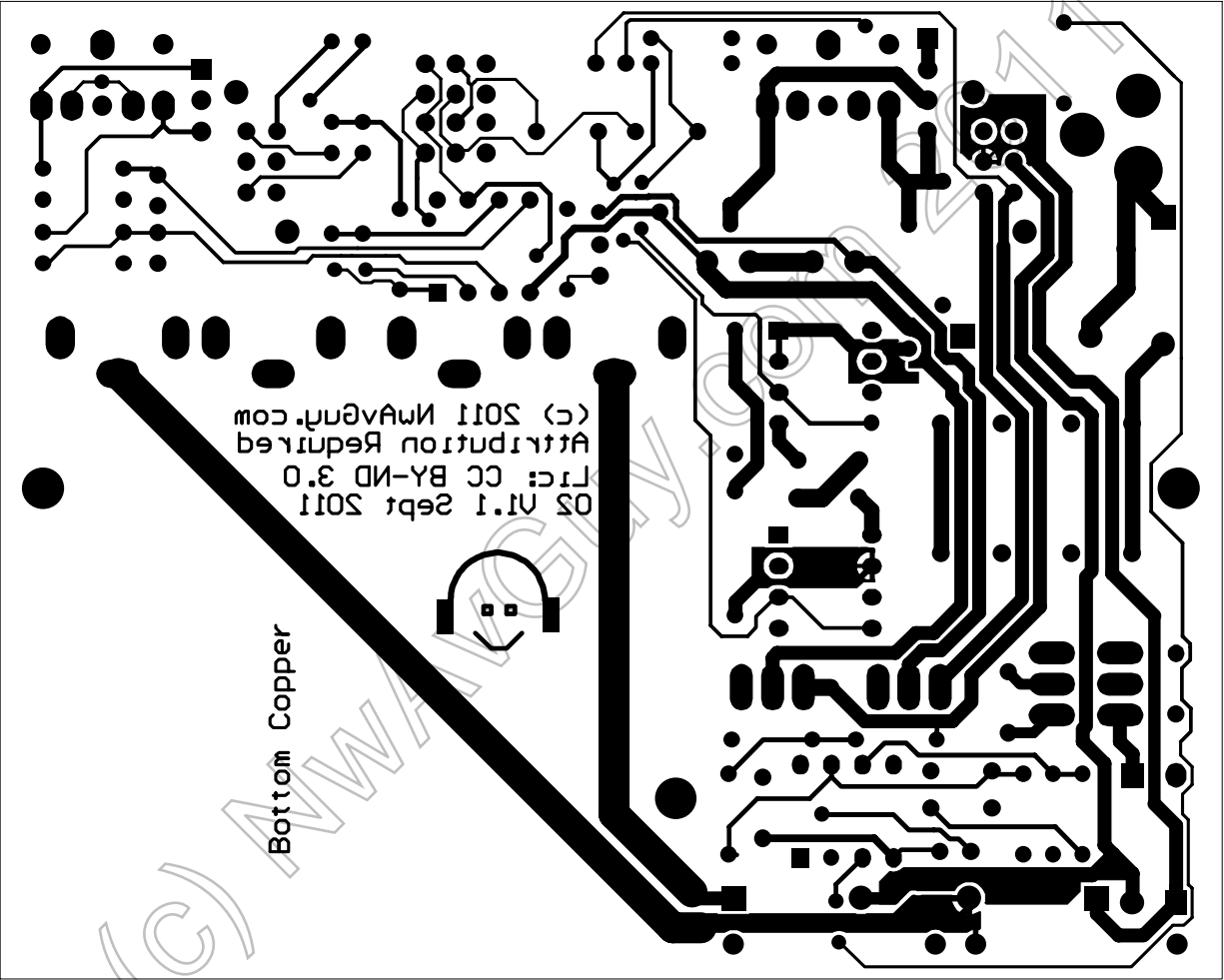
* GAIN: 1.5K, 1K, 750, 499, 375, 274, 214
 2X, 2.5X, 3X, 4X, 5X, 6.5X, 8X Gain Respectively
 (6 dB, 8 dB, 10 dB, 12 dB, 14 dB, 16 dB, 18 dB)
 R3 & R7 = R19 & R23 up to 274 ohms



02 v1.1 9/13 - All Holes Plated - (c) 2011 NwAvGuy.com CC-BY-ND
2 Layer, 1.6mm FR4, >=1oz Cu, Mask Both Sides, HASL/ENIG or equiv.

02(Objective2) HPA ● +
Version 1.1 Sept 2011
Creative Commons License
CC BY-ND 3.0 Attrib. Req.
See: <http://NwAvGuy.com>
(c) 2011 NwAvGuy.com
Top Copper





Bottom Copper

© 2011 NwAvgn.com
Attribution Required
Lic: CC BY-ND 3.0
02 V1.1 Sept 2011

Table with columns: Qty, Description, Mfg Part Number, Mfg, Reference, Unit, Ext, Mouser Part Number, Qty, Notes. Includes sections for Rectifier Diodes, Mouser Part Numbers, Gain Resistors, Low Power Op Amps, For Larger Desktop Version, Odds and Ends, and SUB TOTAL WITHOUT AC ADAPTER, BATTERIES, OR ENCLOSURE.